

Charles River Basin 2k Course

Downstream:
Stay well to the outside of the turn, along the Boston shore.

Upstream

Magazine Beach

BU Bridge

BU Sailing

Lane Targets

BU Boathouse

Pedestrian Overpass

Returning to MIT:
Stay clear of upstream crews on the 2K race course.

Finish

Launching from MIT:
Stay along shore, watch out for upstream crews on the 2K race course and downstream crews returning to MIT.

1500m

MIT Pierce Boathouse

1000m

Harvard Bridge

Downstream:
Aim on the gold dome (Beacon Hill), then at the Boston corner of the Longfellow Bridge.

500m

Start

MIT Sailing Pavillion

Marina

Harvard Sailing

Union Boathouse

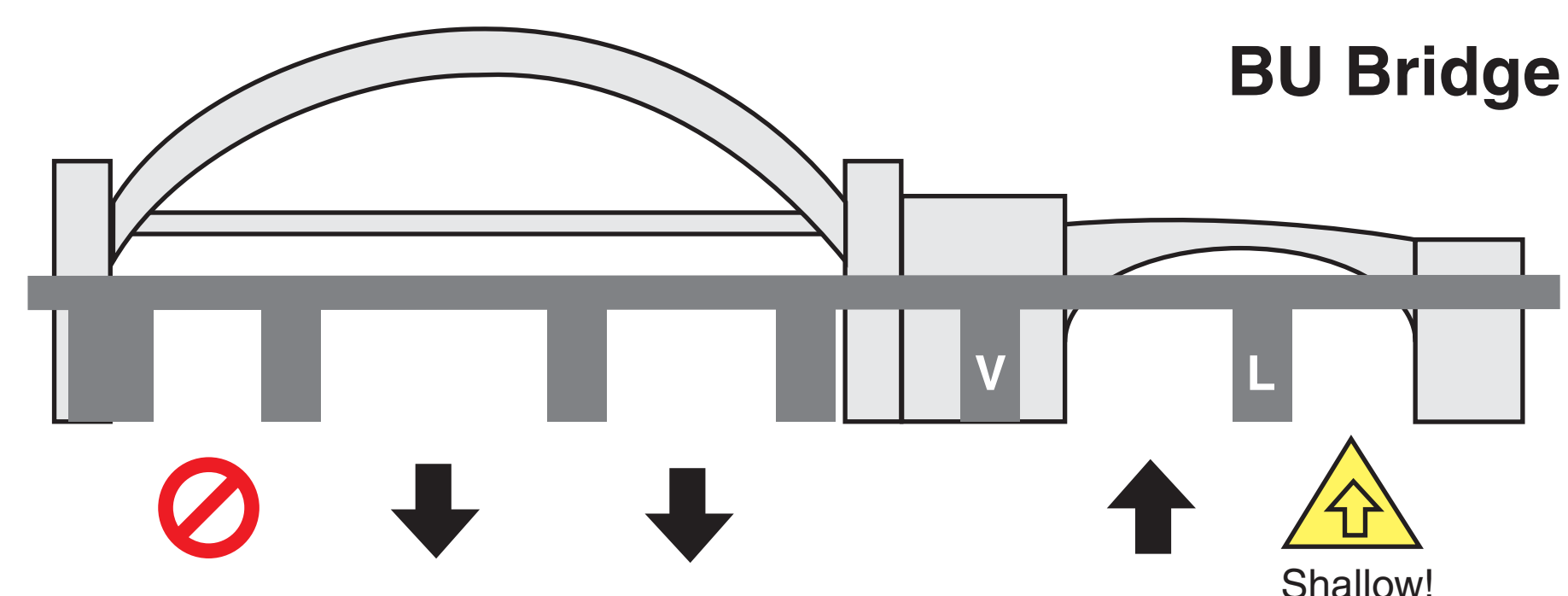
Longfellow Bridge

Downstream

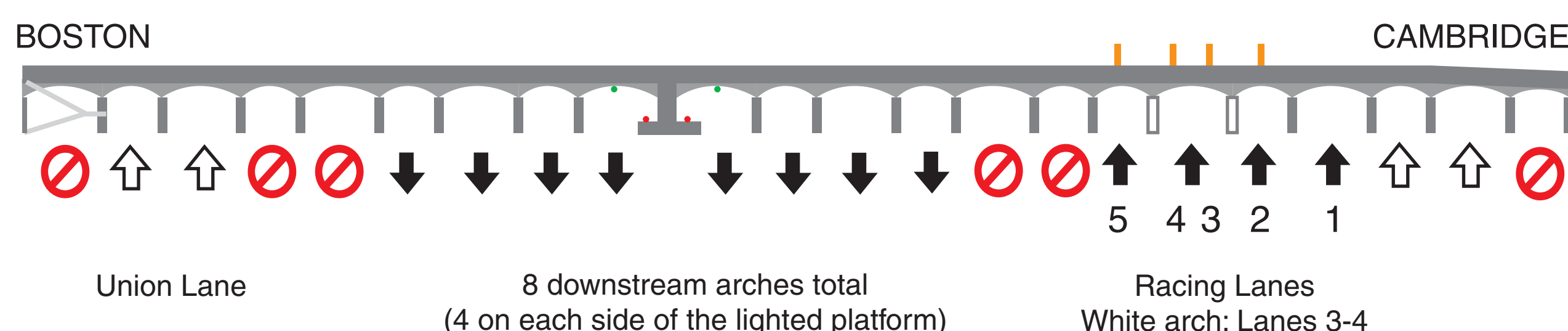
Guide to Basin Arches
(View looking upstream)

(View looking upstream)

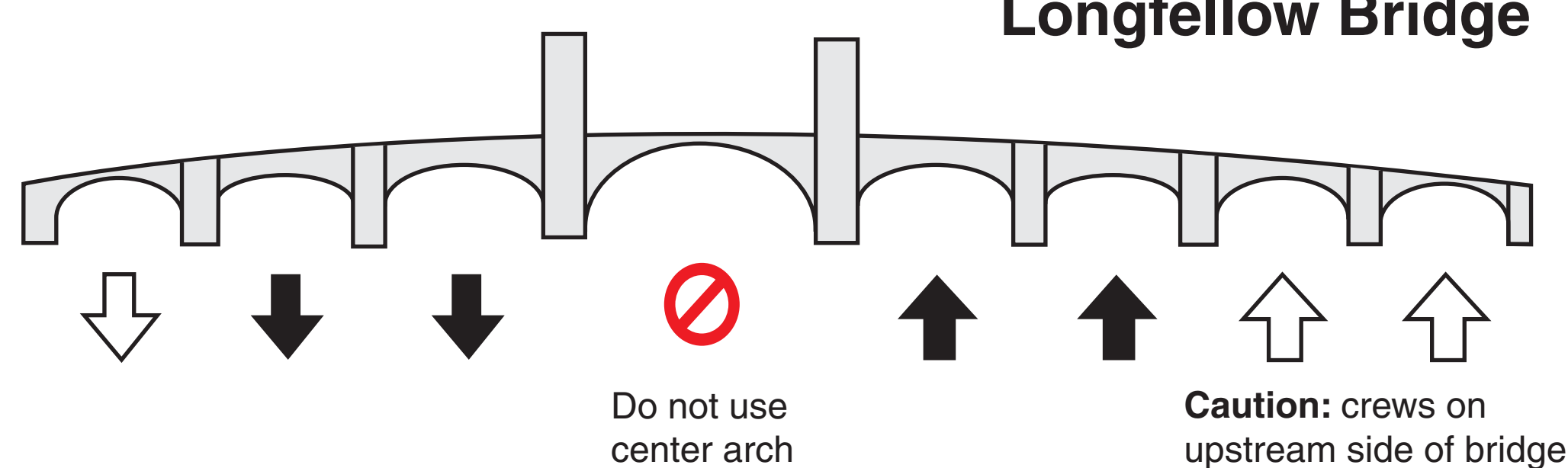
- Normal Traffic
- Use only if necessary
- Caution; see notes
- Do not use



Harvard Bridge (Massachusetts Avenue)



Longfellow Bridge



2k Course Notes

Warm Up

- Warm up along the Boston shores as you proceed to the starting line.
- Once you pass the starting line, you may not return upstream of the starting area.
- Follow a counter-clockwise warm-up pattern downstream of the Longfellow Bridge.
- Do not use the center arch of the Longfellow Bridge.

Harvard Bridge (Mass Ave) Arches

- Lanes 3 and 4 share the racing arch that is marked with white abutments on the Harvard bridge.
- Lanes 2 and 5 have their own arches located to the right and left of the racing arch.

Steering Targets

- Line up the small targets on the bridge above each lane with the large striped land targets on the Boston shore past the finish line.
- There are also white lines painted on the Cambridge shore at the 500-meter marks.
- The finish line is marked by two poles along the Cambridge shore.

General River Rules

- Keep to the right side (1/3) of the river—especially on turns
- Overtake on the left (port)
- Turn quickly, only where visible
- Move to shore to stop or drill

For full details, see the **Charles River Traffic Patterns and Safety Rules**



North